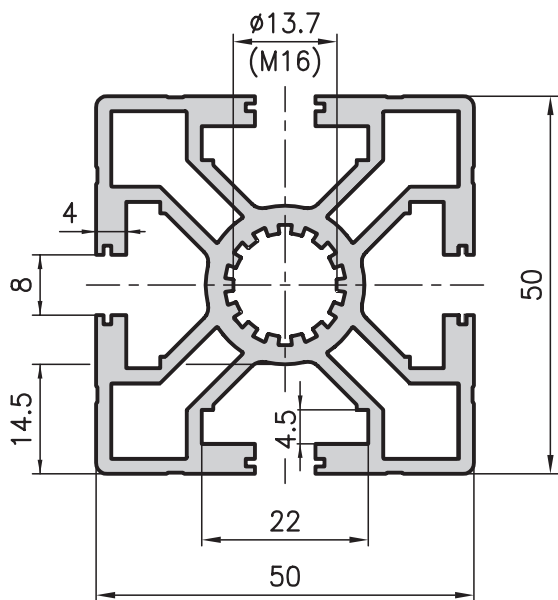
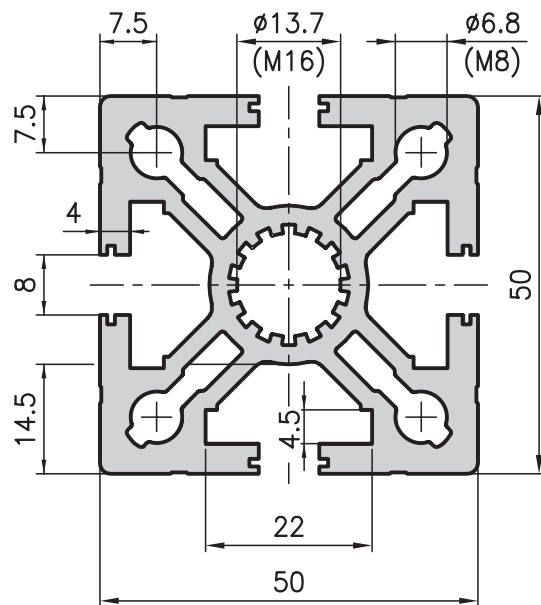


### 50x50 base extrusion type A01-1

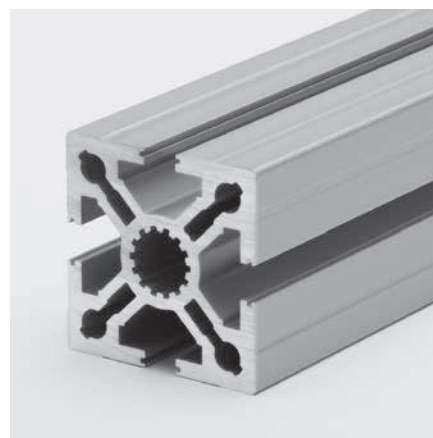
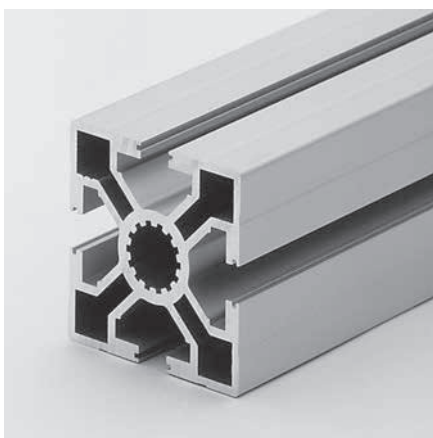


### 50x50 heavy duty extrusion type MA1-1



#### Application

These two extrusions are suitable for most design tasks thanks to their excellent weight and strength properties. Their useful features include holes for direct threading and small guide slots to cover the openings in the extrusions with aluminium strips, 0.8x10 page 159.



#### Technical data

$I_{x,y}$	=	20.88 cm <sup>4</sup>
$W_{x,y}$	=	8.35 cm <sup>3</sup>
Cross-section area	=	8.55 cm <sup>2</sup>
Weight	=	2.3 kg/m

#### Order data

#### Order number

50x50 base extrusion	
Standard length 5000 mm	A01-1-00/5000
Standard length 6000 mm	A01-1-01/6000
50x50 base extrusion	
Cut to length	A01-1-02-02/...
50x50 base extrusion raw	A01-1-R0/5000
Cut to length	A01-1-R0-02-02/...

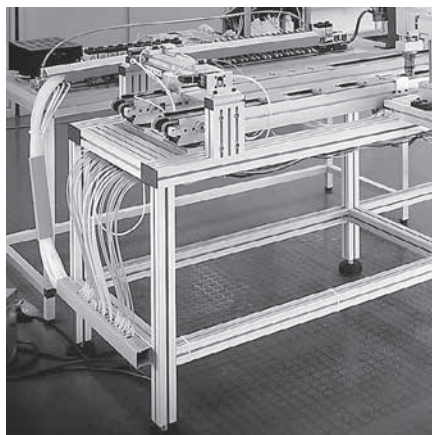
#### Technical data

$I_{x,y}$	=	29.37 cm <sup>4</sup>
$W_{x,y}$	=	11.75 cm <sup>3</sup>
Cross-section area	=	11.26 cm <sup>2</sup>
Weight	=	3.1 kg/m

#### Order data

#### Order number

50x50 heavy duty extrusion	
Standard length 5000 mm	MA1-1-00/5000
Standard length 6000 mm	MA1-1-01/6000
50x50 heavy duty extrusion	
Cut to length	MA1-1-02-02/...



Extra machining

Pages 57-61

Extra machining

Pages 57-61