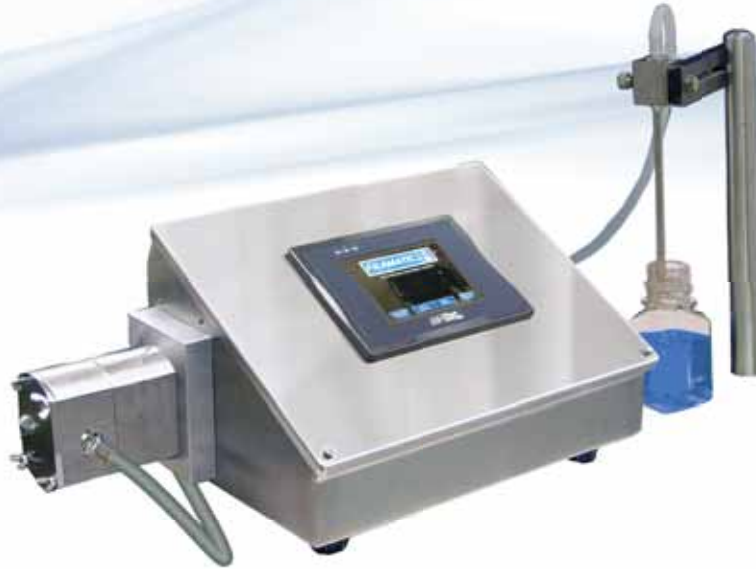


ADAPTAFIL™

Semi-Automatic Benchtop



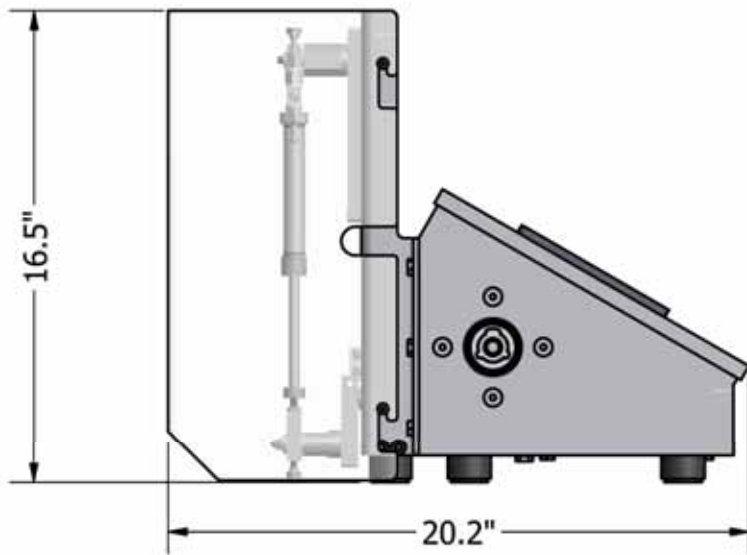
One Base with Four Interchangeable Pumps: Piston, Gear, Lobe, or Peristaltic

- HMI Touchscreen
- Servo Motor Driven Technology
- Digitally Controlled- No Manual Adjustments
- Recipe Recall that allows you to Create, Save, and even Copy 100+ Recipes by Name
- Advanced Fill Weight Compensation
- Adjustable Batch Counting
- Clean Room Design Available
- Optional Printing & Data Transfer Capabilities

ADAPTAFIL™

Specifications

Metering Systems	Fill Volume Range/Rates		Product Description
Peristaltic	Up to 1.16 gallons/min	4.37 liters/min	Free Flowing
Gear	Up to 3.5 gallons/min	13.25 liters/min	Free Flowing Semi-Viscous Viscous Medium Particulates
Lobe	Up to 4 gallons/min	15.14 liters/min	Free Flowing Semi-Viscous Viscous Large Particulates
Piston	.3 mL to 260 mL per stroke	50 strokes/min	Free Flowing Semi-Viscous Viscous Small Particulates



Additional ADAPTAFIL™ Features:

- 💧 Tool-less Changeover
- 💧 110 V Power
- 💧 Stainless Steel Cabinet
- 💧 Quick Clean-Up
- 💧 Fill Accuracy $\pm 0.5\%$
- 💧 Modular Design with Built-In Expansion Capability

Filamatic offers **COMPLIMENTARY** product testing and will provide support before, during, and after the sale of your Benchtop. For more information call 866.258.1914 or email info@filamatic.com.

