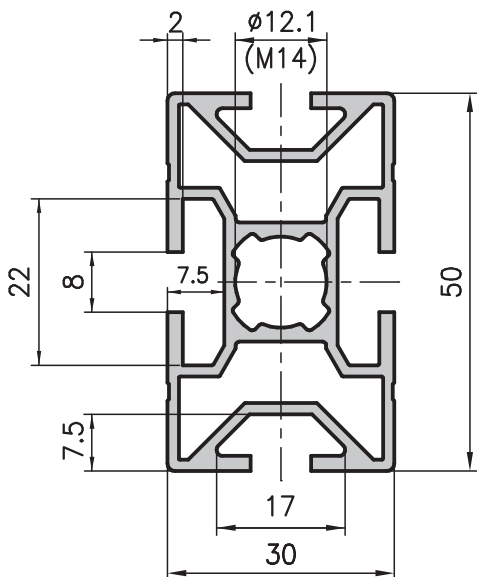
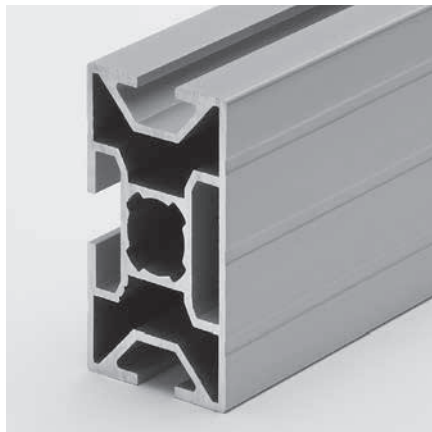


Base extrusion 30x50 type B01-9



Application

Used for all types of structures, base frames, trolleys, conveyor belts, etc. Universally used, easy to use in conjunction with extrusions with bases of 30, 40 or 50. This extrusion is sturdy and strong, despite using little aluminium.

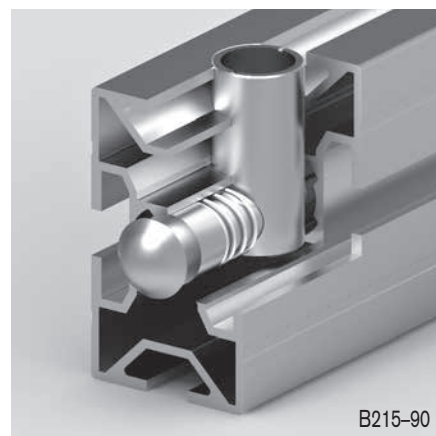
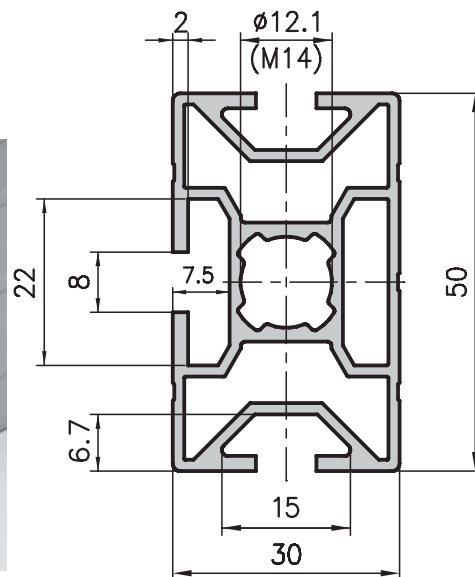


Application

Ideal for any application which requires an attractive design and structural stability. This is another versatile extrusion which can be used for tackling a wide range of different problems.

These extrusions need a special barrel if the connector is fitted on the short side (see image). The connectors with the long barrels have the following item numbers:

Face extrusion 30x50 type MB2-9



B215-90

Technical data

I_x	=	10.94 cm ⁴
I_y	=	4.33 cm ⁴
W_x	=	4.38 cm ³
W_y	=	2.90 cm ³
Cross-section area	=	4.34 cm ²
Weight	=	1.2 kg/m

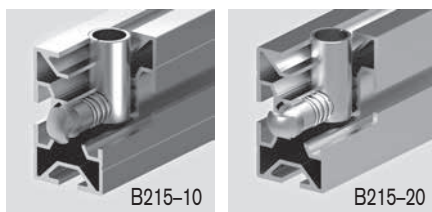
Order data

Base extrusion 30x50	
Standard length 5000 mm	B01-9-00/5000
Base extrusion 30x50	
Cut to length	B01-9-02-02/...
Extra machining	Pages 57-61

Order data

Round-headed connector	B215-90
Horizontal-headed connector	B215-10
Vertical-headed connector	B215-20

Order number



B215-10

B215-20

Technical data

I_x	=	11.30 cm ⁴
I_y	=	4.55 cm ⁴
W_x	=	4.52 cm ³
W_y	=	3.03 cm ³
Cross-section area	=	4.52 cm ²
Weight	=	1.3 kg/m

Order data

Face extrusion 30x50	
Standard length 5000 mm	MB2-9-00/5000
Face extrusion 30x50	
Cut to length	MB2-9-02-02/...
Extra machining	Pages 57-61