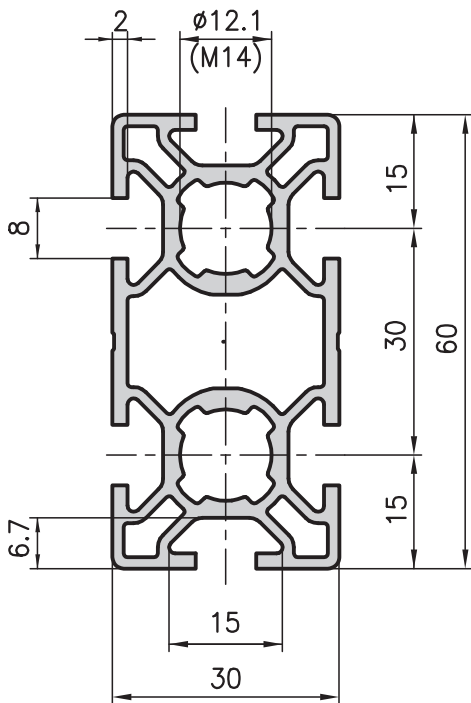
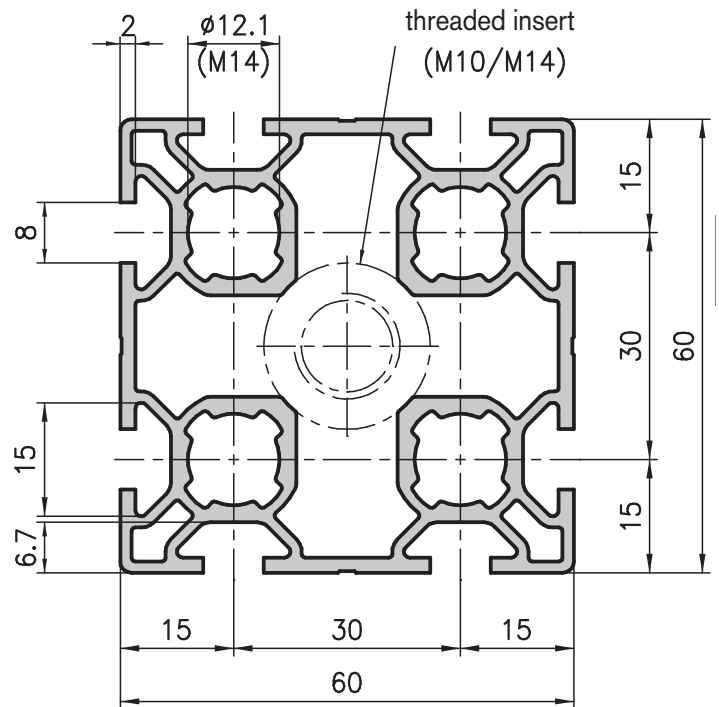


### 30x60 base extrusion type B01-6

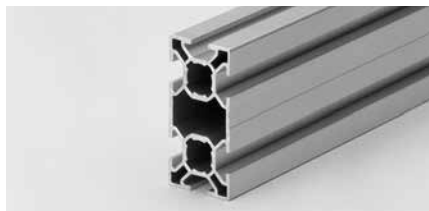


### 60x60 base extrusion type B02-6



#### Application

Ideally suited for use as a cross-beam or for building lightweight conveyor belts. A versatile extrusion for many applications.



#### Application

Mainly used as a brace. Levelling feet and castors can be attached using the threaded inserts B33-60 or B33-64 (page 162).



#### Technical data

$I_x$	=	20.52 cm <sup>4</sup>
$I_y$	=	5.20 cm <sup>4</sup>
$W_x$	=	6.84 cm <sup>3</sup>
$W_y$	=	3.47 cm <sup>3</sup>
Cross-section area	=	5.47 cm <sup>2</sup>
Weight	=	1.5 kg/m

#### Technical data

$I_{x,y}$	=	35.83 cm <sup>4</sup>
$W_{x,y}$	=	11.94 cm <sup>3</sup>
Cross-section area	=	9.04 cm <sup>2</sup>
Weight	=	2.4 kg/m

#### Order data      Order number

30x60 base extrusion	
Standard length 5000 mm	B01-6-00/5000
30x60 base extrusion	
Cut to length	B01-6-02-02/...
Extra machining	Pages 57-61

#### Order data      Order number

60x60 base extrusion	
Standard length 5000 mm	B02-6-00/5000
60x60 base extrusion	
Cut to length	B02-6-02-02/...
Insert M10	B33-60
Insert M14	B33-64
Extra machining	Pages 57-61