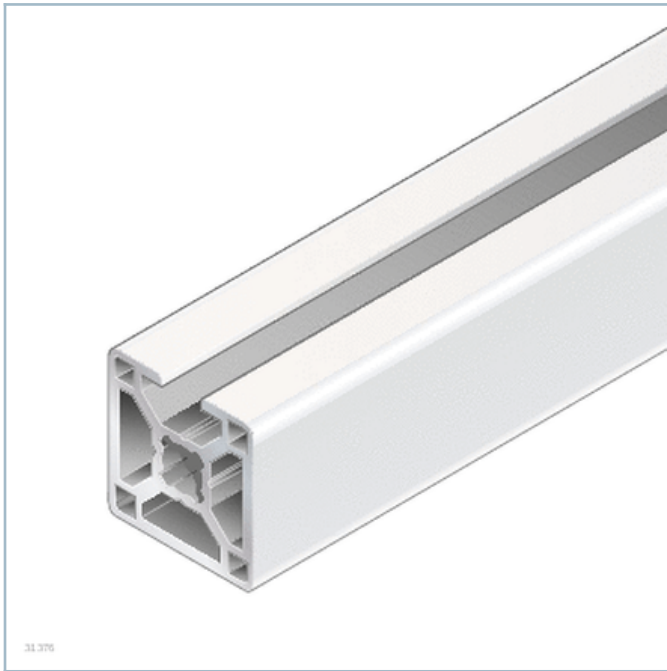


Strut profile 30x30 1N



Product description

[Quick & Easy profile finishes](#)

[Introduction to strut profiles](#)

Technical data

[Quick & Easy profile finishes](#)

Dimensions

Strut profile 30x30 1N

30x30 1N	
A	= 3,7 cm ²
I _x	= 3,1 cm ⁴
I _y	= 3,5 cm ⁴
W _x	= 2,0 cm ³
W _y	= 2,3 cm ³
I _t	= 2,8 cm ⁴
W _t	= 1,5 cm ³
m	= 1,0 kg/m

19179

Ordering codes

The following caps with holes are needed:





30x30 signal gray (1 item)

30x30 black (1 item)

The following cover caps are needed:

30x30 signal gray (1 item)

30x30 black (1 item)

	L			ESD	No.
	mm				
Strut profile 30x30 1N	50 ... 6070		1		3842992397
Strut profile 30x30 1N, 20xL=6070mm	6070	20			3842557208
Strut profile 30x30 1N Q&E	50 ... 6070		1		3842993704
Cover cap 30x30, signal gray			100		3842548744
Cover cap 30x30, black			20		3842548745
Cover cap with hole 30x30, signal gray			20		3842548774
Cover cap with hole 30x30, black			20		3842548775
Strut profile 30x30 1N	6070		1		3842557218

Quick & Easy profile finishes

Standard profile finishes (note minimum length)		M8 / D7.8 / D11 / DB11
Customized profile finishes ($L_{\max} = 4900$ mm) ¹⁾		DI / DIS / MT / MTS / MI / MIS / DG

1) $DG_{\max} = 45^\circ$; $L_{\min1} / L_{\min2} = 352 / 404$ mm