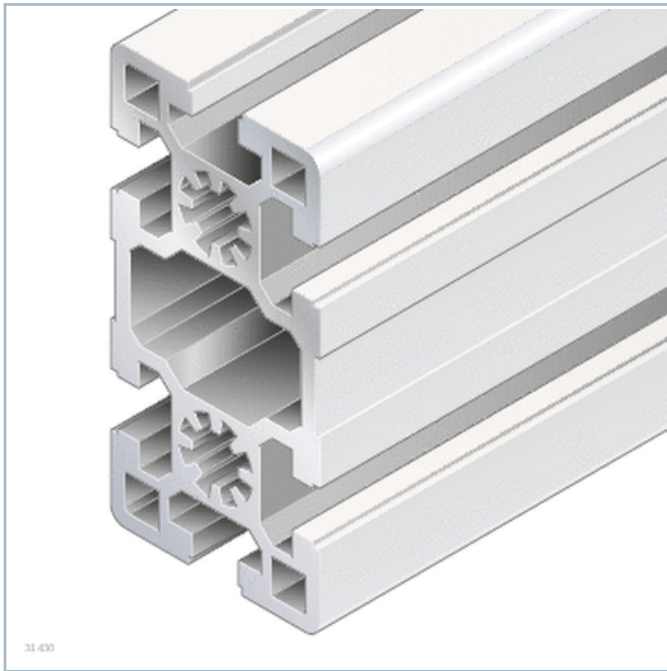
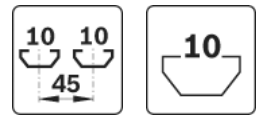


45 x 90 strut profile



31-433

Product description

[Quick & Easy profile finishes](#)

[Introduction to strut profiles](#)

Technical data

[Quick & Easy profile finishes](#)


Dimensions

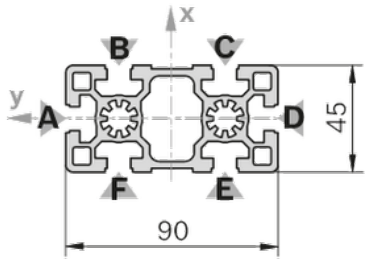
45 x 90 strut profile

45x90

A = 15,4 cm²
 I_x = 124,6 cm⁴
 I_y = 32,8 cm⁴
 W_x = 27,7 cm³
 W_y = 14,6 cm³
 I_t = 15,4 cm⁴
 W_t = 6,61 cm³
m = 4,2 kg/m

19438





Ordering codes

The following cover caps with hole can be used:



Cover cap 45x90, signal gray (1x)





Cover cap 45x90, black (1x)

The following cover caps can be used:

Cover cap 45x90, signal gray (1x)

Cover cap 45x90, black (1x)

	L			ESD	No.
	mm				
45 x 90 strut profile	50 ... 6070		1		3842990300
Strut profile 45x90 M12/-	60 ... 6000		1		3842990301
Strut profile 45x90 M12/M12	110 ... 6000		1		3842990302
Strut profile 45x90 M12/D17	90 ... 6000		1		3842990323
Strut profile 45x90 M12/D17V	90 ... 6000		1		3842990305
Strut profile 45x90 M16/-	120 ... 6000		1		3842990303
Strut profile 45x90 M16/M16	240 ... 6000		1		3842990304
Strut profile 45x90 M16/D17	170 ... 6000		1		3842990325
Strut profile 45x90 M16/D17V	170 ... 6000		1		3842990307
Strut profile 45x90 D17/-	60 ... 6000		1		3842990329
Strut profile 45x90 D17/D17, L80-6000	80 ... 6000				3842990313
Strut profile 45x90 D17/D17V	80 ... 6000		1		3842990311

	L			ESD	No.
	mm				
Strut profile 45x90 D17V/-	60 ... 6000		1		3842990331
Strut profile 45x90 D17V/D17V	80 ... 6000		1		3842990309
Strut profile 45x90, 12xL=6070mm	6070	12			3842553615
Strut profile 45x90 Q&E	50 ... 6070		1		3842993661
Cover cap 45x90, signal gray			20		3842548756
Cover cap 45x90, black			20		3842548757
Cover cap with hole 45x90, signal gray			20		3842548804
Cover cap with hole 45x90, black			20		3842548805
45 x 90 strut profile	6070		1		3842553622

Quick & Easy profile finishes

Standard profile finishing $L_{\max} = 6000$ mm (note minimum length) ¹⁾	M12 / M16 / D9,8 / D17 / DB17 / F1 (A,D)
Customized profile finishes ($L_{\max} = 4900$ mm) ²⁾	DI / DIS / MT / MTS / MI / MIS / DG

1) For the specified slots

2) $DG_{\max} = 45^\circ$; $L_{\min1} / L_{\min2} = 456 / 612$ mm