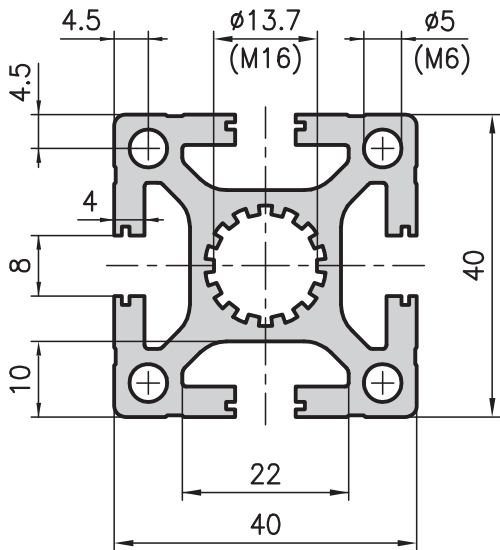
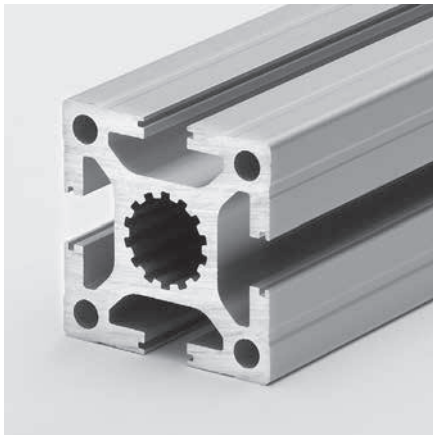
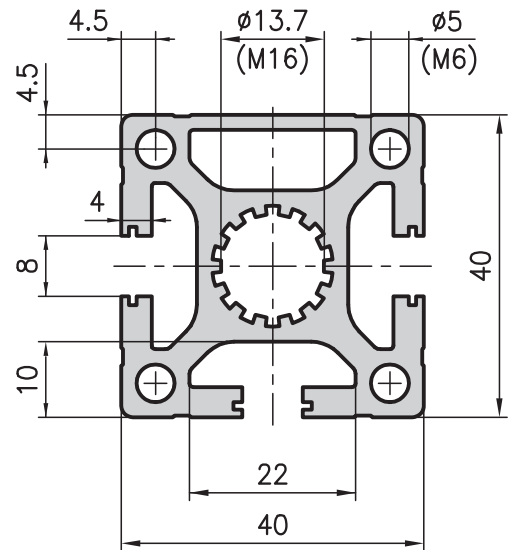


40x40 base extrusion type C01-1

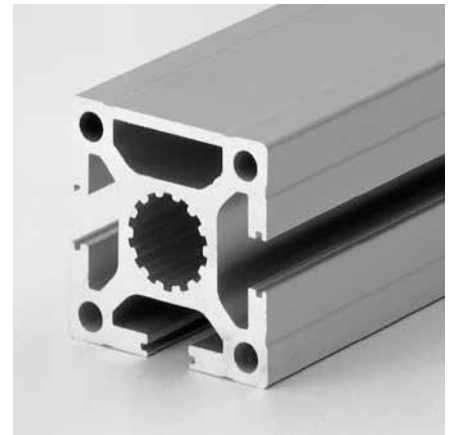


40x40 face extrusion type C01-8



Application

These versatile extrusions can be used for all kinds of structures. With their 40 mm base, they complement extrusions with 20, 30 and 50 mm bases perfectly. The base extrusion itself is extraordinarily sturdy and is hard to beat in terms of value for money.



Technical data

$I_{x,y}$	=	11.70 cm ⁴
$W_{x,y}$	=	5.75 cm ³
Cross-section area	=	7.29 cm ²
Weight	=	2.0 kg/m

Order data Order number

40x40 base extrusion	
Standard length 5000 mm	C01-1-00/5000
40x40 base extrusion	
Cut to length	C01-1-02-02/...
Extra machining	Pages 57-61

Technical data

I_x	=	11.66 cm ⁴
I_y	=	11.67 cm ⁴
W_x	=	5.78 cm ³
W_y	=	5.83 cm ³
Cross-section area	=	7.30 cm ²
Weight	=	2.0 kg/m

Order data Order number

40x40 face extrusion	
Standard length 5000 mm	C01-8-00/5000
40x40 face extrusion	
Cut to length	C01-8-02-02/...
Extra machining	Pages 57-61

