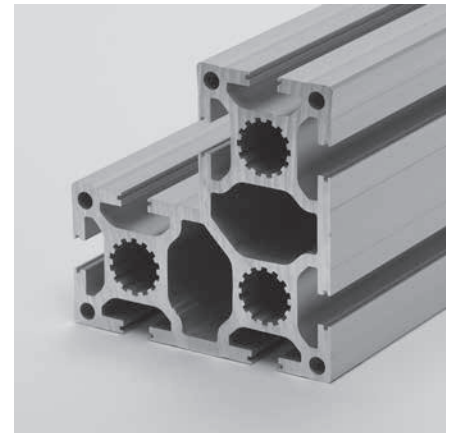
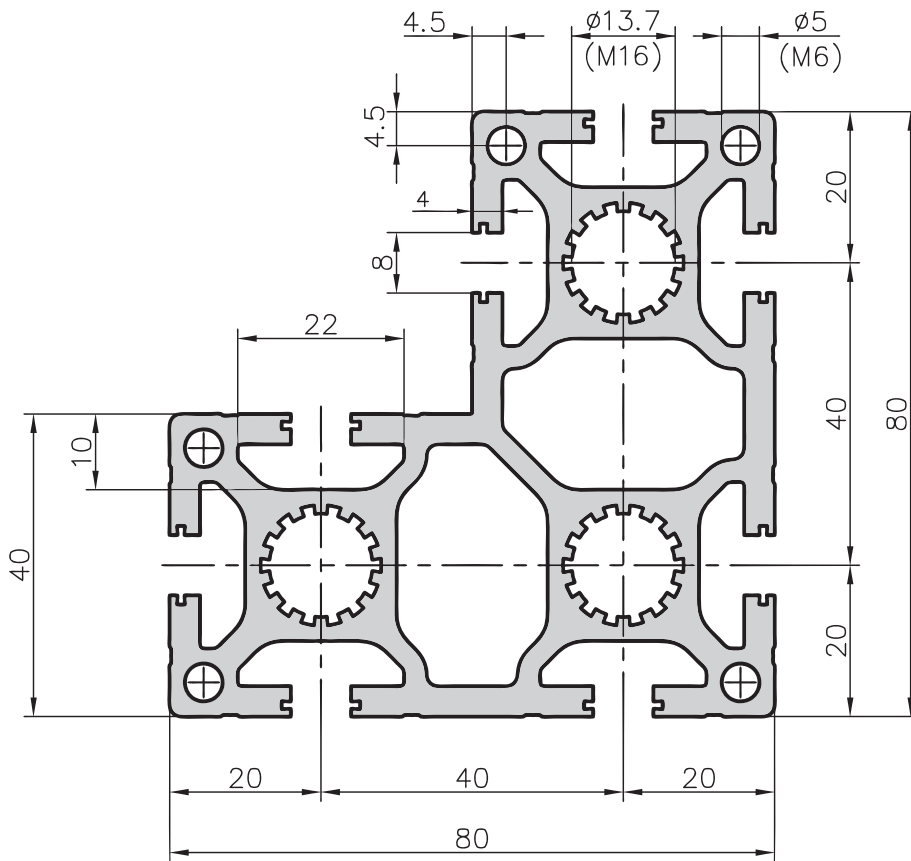


80x80x40 L-shaped extrusion type C01-6



Technical data

$I_{x,y}$	=	109.18 cm ⁴
$W_{x,y}$	=	23.56 cm ³
Cross-section area	=	19.59 cm ²
Weight	=	5.3 kg/m

Application

For machine and apparatus frames which have to hold heavy weights and which require strong corner components. They will also be compact and inexpensive.

Order data

Order number

80x80x40 L-shaped extrusion	
Standard length 5000 mm	C01-6-00/5000
80x80x40 L-shaped extrusion	
Cut to length	C01-6-02-02/...
Extra machining	Pages 57-61

