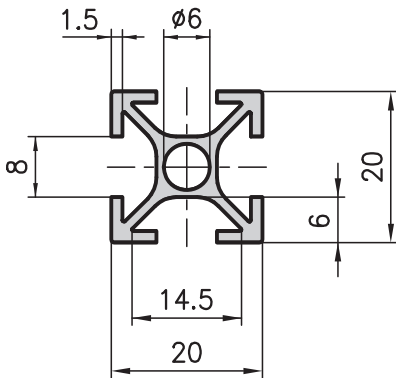
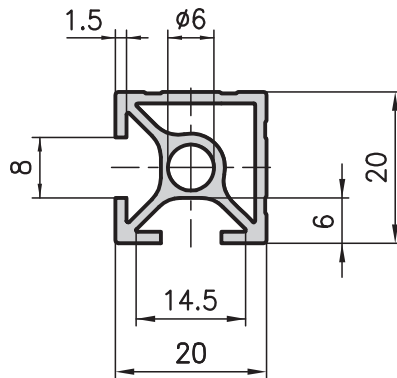


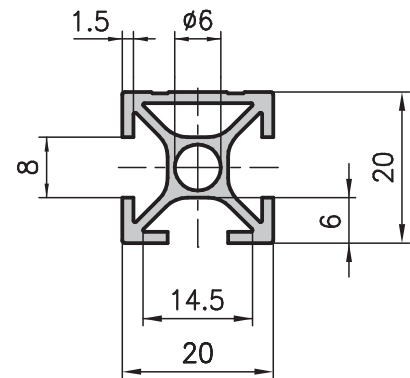
20x20 base extrusion type D01-5



20x20 corner extrusion type D01-3



20x20 face extrusion type D01-8

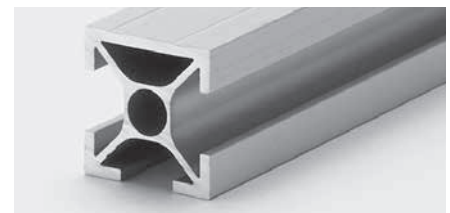
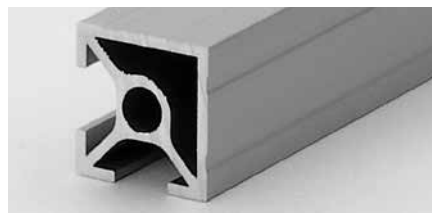
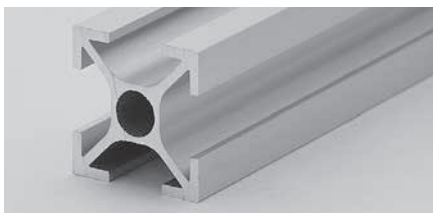
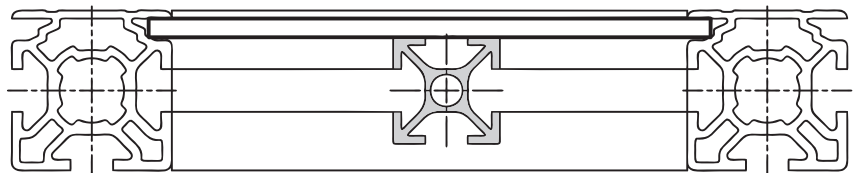


Application

Due to their relatively low weight and strength this 20x20/40 range of extrusions can only be used for small loads, such as limit switches fixtures, smart work frames, small display cases, etc.

Helicoil inserts (DIN 8140) can be used for all extrusions with a core hole of Ø6
See machining code H3/H4.

The 20x20 and 20x40 extrusions are also suitable as a support or reinforcement extrusion behind panels, which is in combination with the base 30 extrusion with panel slots (see sketch).



Technical data

$I_{x,y}$	=	0.60 cm ⁴
$W_{x,y}$	=	0.60 cm ³
Cross-section area	=	1.40 cm ²
Weight	=	0.38 kg/m

Technical data

$I_{x,y}$	=	0.65 cm ⁴
$W_{x,y}$	=	0.65 cm ³
Cross-section area	=	1.54 cm ²
Weight	=	0.42 kg/m

Technical data

I_x	=	0.68 cm ⁴
I_y	=	0.59 cm ⁴
W_x	=	0.68 cm ³
W_y	=	0.59 cm ³
Cross-section area	=	1.46 cm ²
Weight	=	0.39 kg/m

Order data

Order number

20x20 base extrusion	
Standard length 5000 mm	D01-5-00/5000
20x20 base extrusion	
Cut to length	D01-5-02-02/...
Extra machining	Pages 57-61

Order data

Order number

20x20 corner extrusion	
Standard length 5000 mm	D01-3-00/5000
20x20 corner extrusion	
Cut to length	D01-3-02-02/...
Extra machining	Pages 57-61

Order data

Order number

20x20 face extrusion	
Standard length 5000 mm	D01-8-00/5000
20x20 face extrusion	
Cut to length	D01-8-02-02/...
Extra machining	Pages 57-61