

DFS Filler Flow Meter

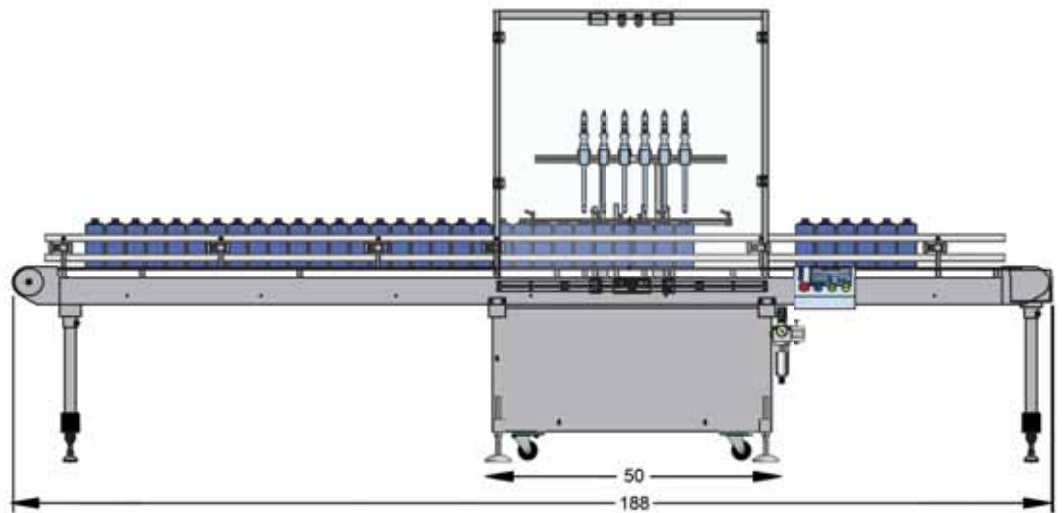
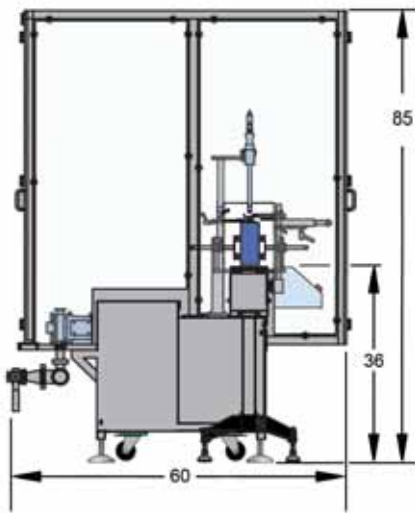


- Three Frame Sizes to Handle up to 14 Flow Meters
- Fill Rates of 10 to 200+ CPM
- Tool-Less Adjustments
- Dockable Trolley System Reduces Changeover to as Little as 5 Minutes
- Handles Low to Moderate Viscosities
- Bottom-Up, Locate, and Static Fill Modes for Nozzle Position
- Attainable Fill Accuracies to $\pm 1/2\%$

DFS Specifications

Additional DFS Flow Meter Features:

- Interlocked Safety Enclosure
Constructed of Lexan and
Stainless Steel
- Best for Moderate to Large
Fills (10ml to Gallons)
- Fallen Bottle, Infeed Bottle Supply,
Discharge Bottle Back-Up Sensors
on the Container Handling System
- Cleaned by (CIP) Clean In Place
or Remote CIP
- Comprehensive Setup, Usage, Drawings,
and Validation Documentation
- Recipe Driven Available



At Filamatic, our passion is to keep you productive and your filling operation running flawlessly. Ask about our "Peak Performace" Maintenance Program to keep your equipment in optimal condition. You can reach us at **866.258.1914** or **info@filamatic.com**.

