

Filamatic

Your Specialist in Liquid Filling

Filamatic, a division of National Instrument, LLC, has been serving the pharmaceutical, biotech, healthcare, contract packaging, cosmetic, chemical specialty and food industries since 1950. We provide a wide range of equipment that can be customized to suit your unique application and budget.

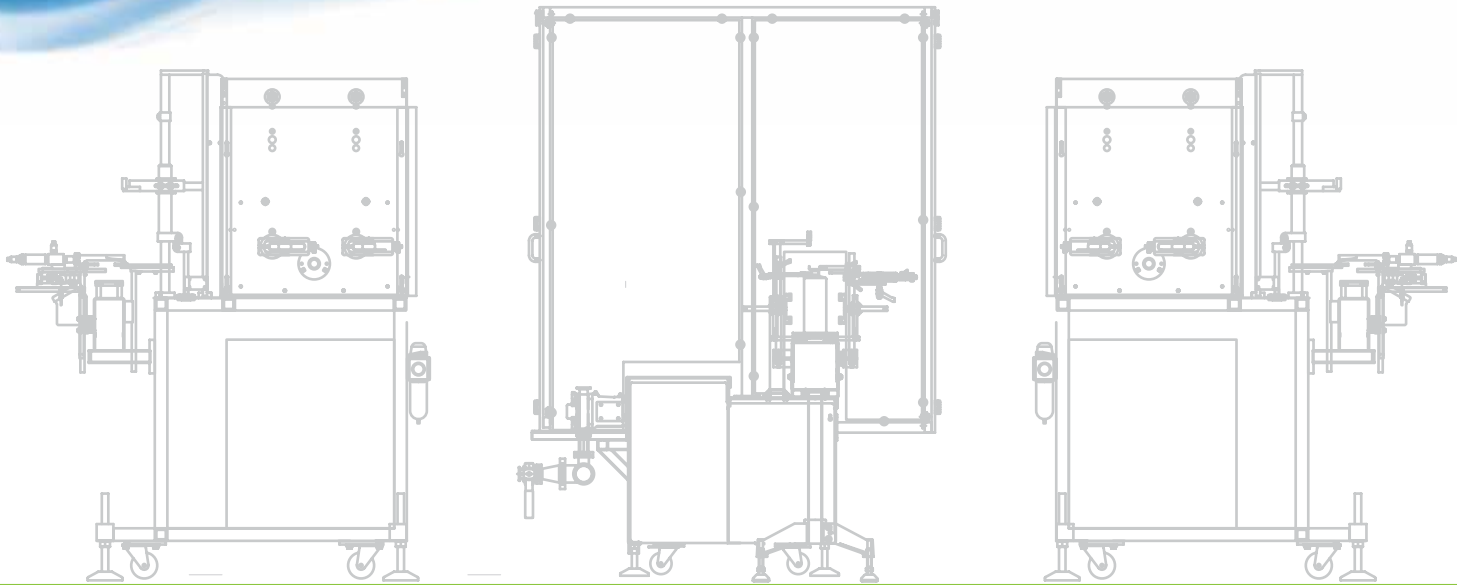
We meet the ever changing demands of our customers by providing high performance, reliable liquid filling systems that deliver value, accuracy, faster changeover, and low total cost of ownership year after year. Today as always, the heart of our business lies in the strong and lasting relationships we enjoy with our customers.



Specialists in Liquid Filling Systems

4119 Fordleigh Road
Baltimore, Maryland 21215 USA
Phone 866-258-1914 or 410-764-0900
sales@filamatic.com
www.filamatic.com

Automatic Inline Filling Systems



Inline Filling Features

Reliable and Accurate Fills

Our automatic Inline Filling equipment accommodates an array of products, from free-flowing to viscous, from pharmaceuticals to contract packagers, as well as a variety of containers in all shapes and sizes. Filamatic's Inline Fillers provide a quick and accurate fill within a straight line on a conveyor and offers a quick changeover and simple operation. Inline features include:

- 💧 Programmable Controller with the option of a HMI Touch Screen
- 💧 Provides operators with easy and quick volume adjustments
- 💧 Static, Locate, and Bottom-Up filling mechanisms
- 💧 Standard Stainless Steel design that is expandable depending on your productions needs



Digifil™ Inline Filling Systems

Servo-Driven, Multiple Pump Options Available

The DFS or Digifil™ Filling Systems can be customized depending on your liquid filling needs and application. Dockable and Non-Dockable options are available for the DFS, where Dockable provides you with a removable trolley that will allow quick and clean changeovers in little as five minutes.

The DFS is an automatic Inline Filling System complete with servo-motor technology and comes standard with recipe recall where you can create, copy, and recall 100+ recipes. The DFS is unique for its ability to accommodate a wide variety of metering systems:

- 💧 Piston Pump
- 💧 Lobe Pump
- 💧 Peristaltic Pump
- 💧 Flow Meter
- 💧 Rotary Gear
- 💧 Rotary Piston Pump

Built To Order, Built To Last



V-Series
Flexible Design, Wide Range of Piston Pump Sizes, Product Viscosity and Speeds



DFS
Servo Controlled, Wide Range of Metering Systems, Fill Volumes, and Fill Rates



Level Filler
Simple Design for Low Viscosity Products

H-CE Molten Hot Filler
Fills Products up to 200 Degrees Fahrenheit



Synchromat
Entry Level, Automatic Piston Pump Filler



Proudly built in the U.S.A.