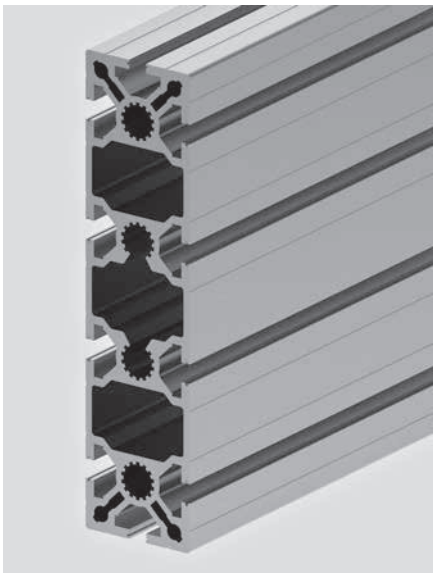


Beam extrusion 50x200 type MA1-6

Application

An optimum extrusion for large gantries and stable cross-beams. Together with the extrusion MA1-9, large robust constructions can be created. Similar to the MA1-3, this extrusion is mainly used to support heavy loads because of its excellent load-bearing characteristics.



Technical data

I_x	=	1315.83 cm ⁴
I_y	=	92.71 cm ⁴
W_x	=	131.58 cm ³
W_y	=	37.08 cm ³
Cross-section area	=	32.74 cm ²
Weight	=	8.84 kg/m

Order data

Order data	Order number
Beam extrusion 50x200 Standard length 6000 mm	MA1-6-01/6000
Beam extrusion 50x200 Cut to length	MA1-6-02-02/...

Extra machining Pages 57-61

