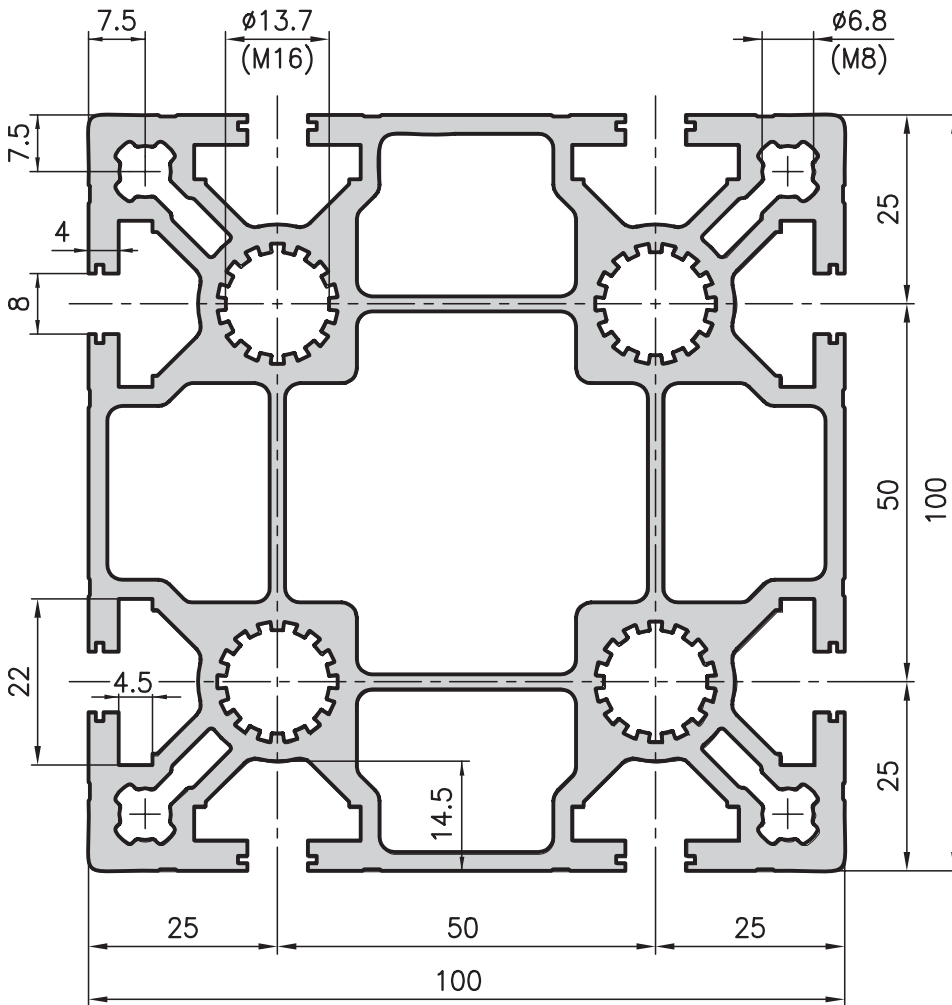


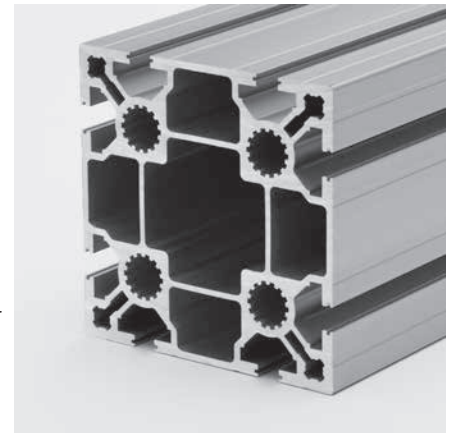
## 100x100 base extrusion type MA2-5



### Application

This versatile extrusion is mainly used in machinery and plant construction and boasts the following qualities:

- high strength
- excellent torsional rigidity
- low weight



### Technical data

$I_{x,y}$	=	324.73 cm <sup>4</sup>
$W_{x,y}$	=	64.95 cm <sup>3</sup>
Cross-section area	=	30.00 cm <sup>2</sup>
Weight	=	8.1 kg/m

### Order data

### Order number

100x100 base extrusion	
Standard length 5000 mm	MA2-5-00/5000
Standard length 6000 mm	MA2-5-01/6000
100x100 base extrusion	
Cut to length	MA2-5-02-02/...
Extra machining	Pages 57-61

